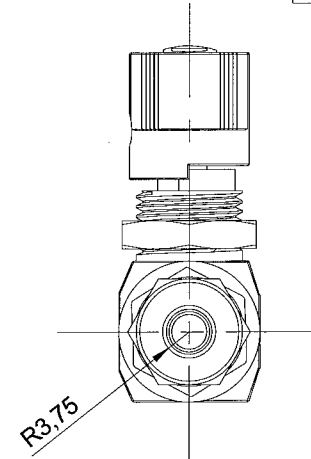
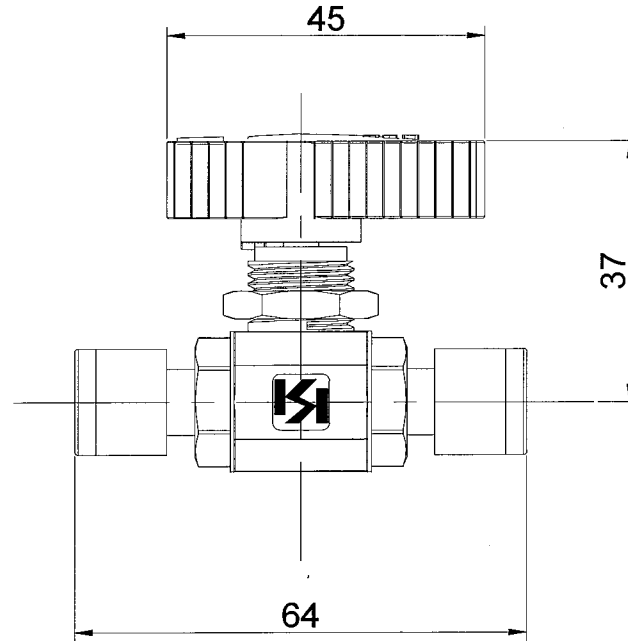
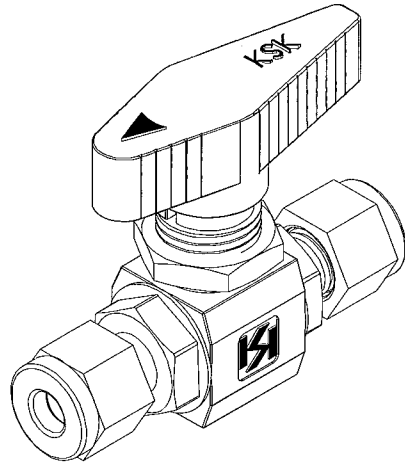
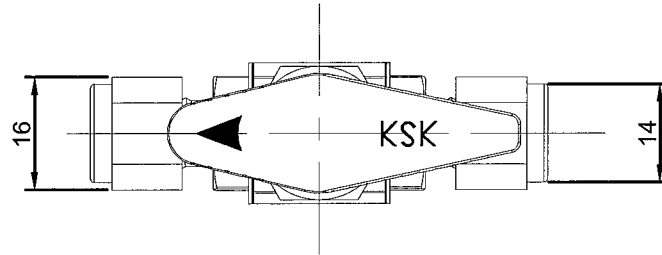


KSK 4BC-SW-SS

SPECIFICATION		
BODY SIZE	1/4"	
END CONNECTION	LET-LOK / FU-LOK	
MAX.WORKING PRESSURE	5.1Mpa	
WORKING TEMP.RANGE	-10 to 80° C	
HELEAK	INBOARD	$\leq 1.0 \times 10^{-6}$ atm.cc/sec He
	PATE	ACROSS THE SEAT

UNIT : mm

ITEM	PARTS	Q.TY	MATERIALS
1	BODY	1	CF8M
2	CAP	2	SUS 316
3	BALL	1	SUS 316
4	BALL SEAT	2	PTFE
5	CAP O-RING	2	VITON
6	STEM	1	SUS 316
7	THRUST WASHER	1	PTFE
8	STEM PACKING	1	PTFE
9	GLAND NUT	1	SUS 316
10	HANDLE	1	POM
11	PANEL	1	SUS 316
12	STEM O-RING	1	VITON



4BC-SW-SS

Output drawing: A4
1 : 1 (CM)

3RD ANGLE		HAM-LET MOTOYAMA JAPAN Member of HAM-LET Group			
CHECKED		DATE	2011/11/21	TYPE	
DESIGNER		SCALE		ITEM NO.	4BC-SW-SS
DRAWN	P.R.Wara	DESCRIBE			